

LED Traffic Light

Protection:

Ⓜ II 2 G D Ex emb IIC T5 Gb, Ex t IIIC T68°C Db IP66/67

Certification: ATEX & IECEX by SIRA

	Certification	Ambient	Voltage Range	Certificate
HDL 153	Ⓜ II 2 G D Ex emb IIC T5 Gb, Ex t IIIC T68°C Db IP66/67	All variants -20°C to +55°C	100V to 254V AC 24V AC/DC	IECEX SIR 09.0065X SIRA 09ATEX5160X SIRA 03ATEX3386

Electrical Specification (per individual lamp):

Electrical Specification			
Lamp Options	Power consumption	Power factor	Power supply
6 x 1.2W LEDs	12W Max	0.95	100V – 254V 50/60Hz AC or 24V AC/DC

Installation:

Terminals: Up to 4mm² screwed terminals for L1, L2, L3, neutral, earth and looping are provided. Internal and external earth is standard.
Cable Entries: 2 x M20, one fitted with approved stopper plug, other entries available on request.
Suspension: Via 2 external mounting point. Adjustable pole mount kit also available:- ALA90091.
Installation: Installation document AL10649 supplied.

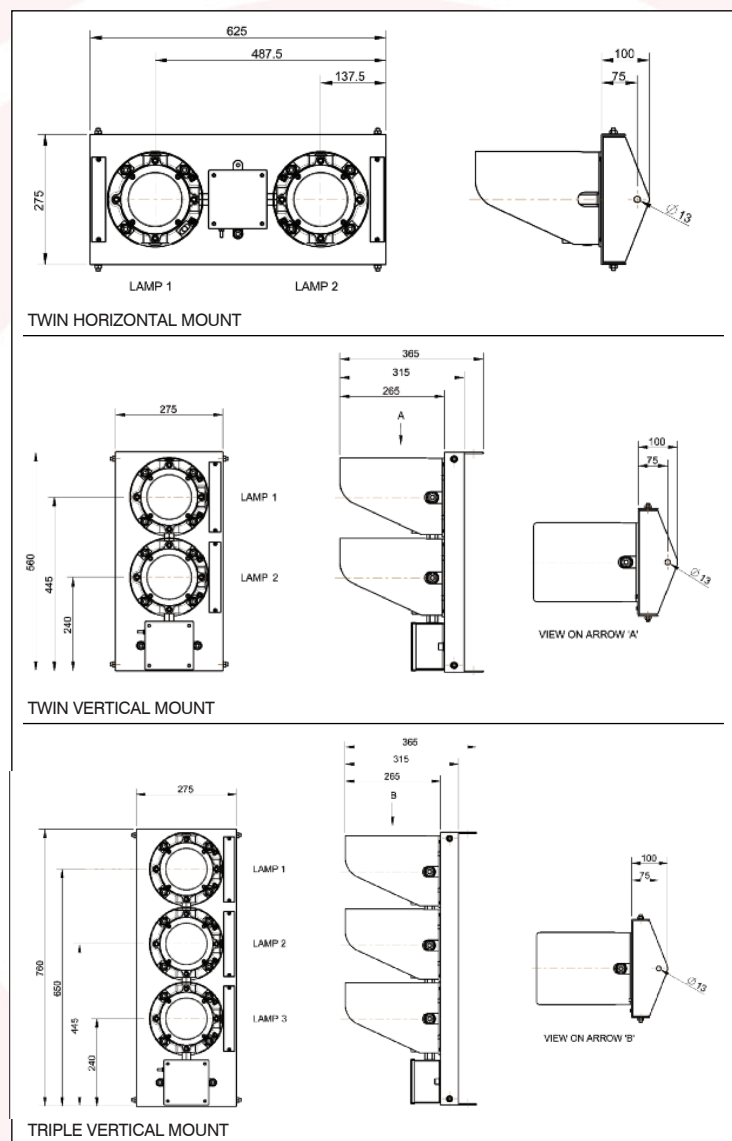
Ordering Matrix:

Field	Options
Product	HDL153
Voltage	H – 100-254V AC L – 24V AC/DC
Mounting	H – Horizontal V – Vertical
Combination	1 – Single 2 – Twin 3 – Triple
Lamp 1	R – Red A – Amber G – Green W – White Y – Yellow N – n/a
Lamp 2	R – Red A – Amber G – Green W – White Y – Yellow N – n/a
Lamp 3	R – Red A – Amber G – Green W – White Y – Yellow N – n/a
Fittings	0 – No wire guard 1 – Wire guard fitted
Cable Entries	0 – M20 5 – M25
Other Options	0 – Standard

Notes:

- 1) Typical ordering reference: HDL153HH3GAR000.
- 2) Photometric Data available from the website or contact sales office.

Dimensions:



Union Supplies
 Blackness Road
 Altens Industrial Estate
 Aberdeen
 AB12 3LH

Tel: +44 (0) 1224 897755
 Fax: +44 (0) 1224 877121
 sales@unionsupplies.com
 www.unionsupplies.com

Aberdeen
 Baku
 Dubai
 Houston

UNION
 SUPPLIES