

# Recessed Luminaire

HDL 102

Zone 1 Ex emb Recessed Luminaire



## Specification:

### Enclosure:

Steel Powder Coated  
or Stainless Steel

### Diffuser Frame:

As above

### Diffuser:

Toughened Prismatic Glass

### Gasket:

Silicone

### External Fasteners:

A4 Stainless Steel

### T Rating:

T4/T5 Gas and Dust

### Surface Temp:

75°C

## Key Features:

- Exposed 'T' / Concealed 'T' Modular ceiling type.
- Plasterboard Non-modular ceiling type.
- Plank ceiling type 300mm wide.
- Mild steel painted as standard (stainless steel also available).
- 2 x 18 W, 4 x 18W, 2 x 36W, 4 x 36W, 2 x 58W.
- Emergency version available - 3 hour duration.
- For 2 x 18W Compact Fluorescent Luminaire see – HDL 108.
- Ease of maintenance and installation.
- Wide range of lamp options.
- High frequency electronic control gear.
- Quick lamp start and flicker free operation control gear.
- High ambient areas.
- Can be installed in new or existing ceilings.
- Lightweight and robust construction.
- Cable entries can be positioned to suit customer requirements.
- Overvoltage protection 320V for 1 minute.

- Standard/Emergency gear trays interchangeable between luminaries.
- Continuous monitoring of fluorescent lamps ensures safe end of life shutdown by electronic ballast in accordance with HSE safety notice 8/05.
- Optional mains isolation/battery isolation microswitch available.

Incorporates the new 'End of Life' (EoL) protection circuit ballast according to DIN EN 61347-2-3 AND IEC 60079-7 Ed 4 Annex H

Engineering Solutions  
Design to Manufacture

**HADAR**  
LIGHTING 

Union Supplies (Aberdeen) Ltd  
Blackness Road, Aberdeen, AB12 3LH

T: +44 (0) 1224 897755  
F: +44 (0) 1224 877121

sales@unionsupplies.com

www.unionsupplies.com

### Protection:

II 2GD Ex emb II T4/T5 IP64, Ex tD A21 T75°C

**Certification:** ATEX & IEC Ex certified by SIRA

|         | Certification                  | Ambient   | Voltage Range | Certificate                             |
|---------|--------------------------------|---|---------------|---|
| HDL 102 | II 2GD Ex emb II<br>T4/T5 IP64 | All ranges T4 - 40°C to + 55°C<br>All ranges T5 - 40°C to + 40°C<br>Emergency -15°C | 110V – 254V   | IEX Ex SIR 0.60027<br>SIRA 06 ATEX 3080 |

### Electrical Specifications:

| Electrical Specification |   |                        |   |
|--------------------------|---|------------------------|---|
| Lamp Options             | Power consumption                                 | Power factor           | Power supply  |
| 2 x 18W T8               | 32W Circuit Watts at 240V – 0.14A (120V – 0.28A)  | Better<br>than<br>0.95 | 220V – 254V, 47/63 Hz AC/DC<br>110V – 130V, 47/63 Hz AC/DC (18W/36W only)<br>Emergency version as above – AC only |
| 2 x 36W T8               | 62W Circuit Watts at 240V – 0.27A (120V – 0.28A)  |                        |   |
| 2 x 58W T8               | 92W Circuit Watts at 240V – 0.40A (120V – 0.80A)  |                        |   |
| 4 x 18W T8               | 64W Circuit Watts at 240V – 0.28A (120V – 0.56A)  |                        |   |
| 4 x 36W T8               | 124W Circuit Watts at 240V – 0.54A (120V – 1.08A) |                        |   |

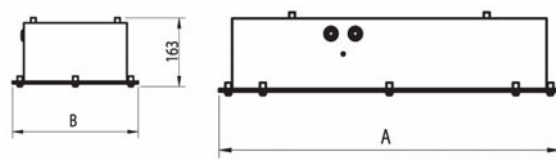
### Installation:

**Terminals:** Up to 6mm<sup>2</sup> clamp terminals for live, live switched, neutral, earth and looping are provided. Internal and external earth as standard. Screw terminals upon request.  
**Cable Entries:** To suit individual customer requirements.  
**Suspension:** To suit individual customer requirements.  
**Installation:** Installation document AL10089 supplied.

### Ordering Matrix:

| Field         | Options   |
|---------------|---|
| Product       | HDL102  |
| Version       | S – Non Emergency<br>E - Emergency  |
| Fittings      | A – Exposed 'T'<br>B – Concealed 'T'<br>C – Non Modular<br>D – Plank              |
| Voltage       | H – High Voltage (220V – 254V)<br>M – Medium Voltage (110V – 130V)                |
| Cable Entries | 0 – M20 Entries<br>5 – M25 Entries  |
| Lamp Options  | 218 – 2 x 18W<br>236 – 2 x 36W<br>258 – 2 x 58W<br>418 – 4 x 18W<br>436 – 4 x 36W |

### Dimensions:



Dimensions for non modular range of recessibles for modular range dimensions contact the sales dept.

|         | A      | B     | Weight |
|---------|--------|-------|--------|
| 2 x 18W | 700mm  | 299mm | 10kg   |
| 2 x 36W | 1310mm | 299mm | 16kg   |
| 2 x 58W | 1610mm | 299mm | 18kg   |
| 4 x 18W | 700mm  | 599mm | 15kg   |
| 4 x 36W | 1310mm | 599mm | 18kg   |

### Notes:

- 1) Final Product Code should be in the format: HDL102SCH0218.
- 2) Bi-Pin as standard. Contact sales office for Single Pin.
- 3) Mild Steel as standard, contact sales office for stainless steel.
- 4) For Photometric data contact the sales office.

